

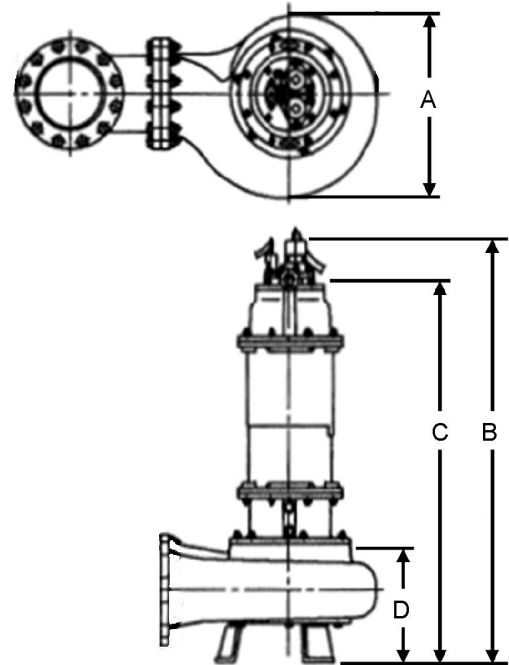
# mody

## MHC SERIES - HI CHROME SLURRY SUBMERSIBLE PUMP

### MHC8-A SERIES

PORTABLE WET PIT  
INSTALLATION

Model	kW	rpm	Max. Amps 400V 50Hz	Solid Handling mm	Weight kg
MHC8/15	11	1500	21	60	250
MHC8/20	15	1500	27	60	395
MHC8/30	22	1500	41	66	413
MHC8/40	30	1500	54	45	622
MHC8/50	37	1500	70	55	640
MHC8/60	45	1500	84	55	672



Dimensions Chart (mm)

Model	A	B	C **	D *
MHC8/15	475	1021	980	330
MHC8/20	549	1257	1130	330
MHC8/30	549	1257	1130	330
MHC8/40	696	1506	1382	401
MHC8/50	696	1506	1382	401
MHC8/60	696	1326	1382	401

\* Lowest Water Level for effective suction

\*\* Lowest Water Level for Continuous Operation

**mody**  
Pumps

**Mody Pumps® Inc.**

2166 Zeus Court, Bakersfield, CA 93308 USA

Tel.: (661) 392-7600 • Fax: (661) 392-7601

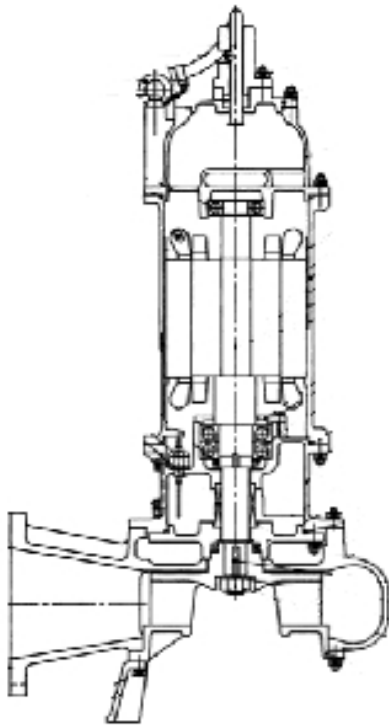
<http://www.modypump.com>

E-mail: [sales@modypump.com](mailto:sales@modypump.com)

# mody

## MHC SERIES - HI CHROME SLURRY SUBMERSIBLE PUMP

### MHC8A SERIES 11kW - 45kW



### MHC8A SERIES

#### MATERIALS OF CONSTRUCTION AND ENGINEERING DATA

##### PUMP END

pH Range	5 - 12
Impeller Type	Two Vane Semi-Open
Max. Temperature of Pumped Fluid:	104°F/40°C
Max. Starts/Stop Per Hour:	15
Max. Submergence:	20m

##### MOTOR

4-pole induction **continuous rated** motor with squirrel cage rotor. Bi-metallic switches (thermals) embedded in stator winding to protect against overheating. Stator insulation class 'H' (180°C)

##### POWER SUPPLY

3 phase, 50 Hz, AC Supply, 400V. Other voltages available upon request.

##### BALL BEARINGS

The rotor shaft is carried on a double row angular contact ball bearing which carries the high thrust and radial loads. The Upper bearing on units up to 40HP is a deep groove ball bearing; on 50HP and above it is fitted with a roller bearing. The bearings are enclosed with high temperature grease containing special Anti-corrosion additive.

##### POWER CABLE

Waterproof/oil proof, rubber-insulated, neoprene-sheathed copper conductor flexible cable, 25ft. (7.6m) length standard. Type SOOW in North America, EPR in the Middle East and HO7RN in the EU. Optional Trailing cable for thermals and seal probe sensor.

##### SHAFT SEALS

Double Mechanical Seals, outer and inner are Silicon Carbide, both rotating and stationary faces. Equipped with Moisture Sensor to detect progressive seal wear.

##### HYDRAULICS

Two Vane Semi-Open Impellers, Hydrodynamically balanced with improved flow pattern contribute to a virtually clog-free pump.

##### COOLING

Integral cast cooling fins on motor casing with large surface area ensure efficient heat dissipation and low temperature rise. Shrink fitted stators and short shaft overhang facilitate cooling.

##### MATERIALS OF CONSTRUCTION

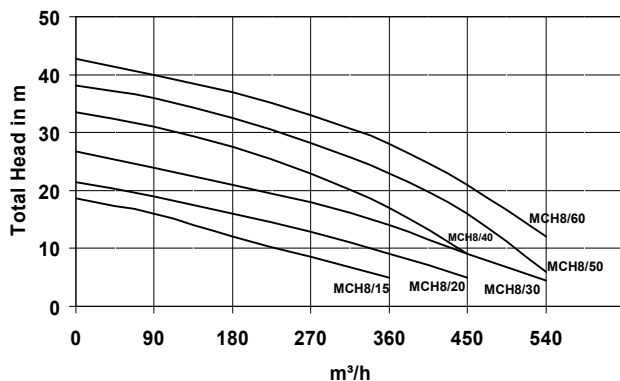
Pump Casing:	28% Hi-Chrome Iron
Impeller:	28% Hi-Chrome Iron
Suction Cover:	28% Hi-Chrome Iron
Shaft:	403 Stainless Steel
Hardware:	304 Stainless Steel
"O" Rings:	Nitrile Rubber (Viton - Optional)
Mech. Seals:	SC/SC (Upper & Lower)

##### SURFACE TREATMENT

Primer with Epoxy and subsequently coated with black chloric paint for maximum corrosion resistance.

### PERFORMANCE CURVES

Mody MHC Hi-Chrome 8" 11kW - 45kW





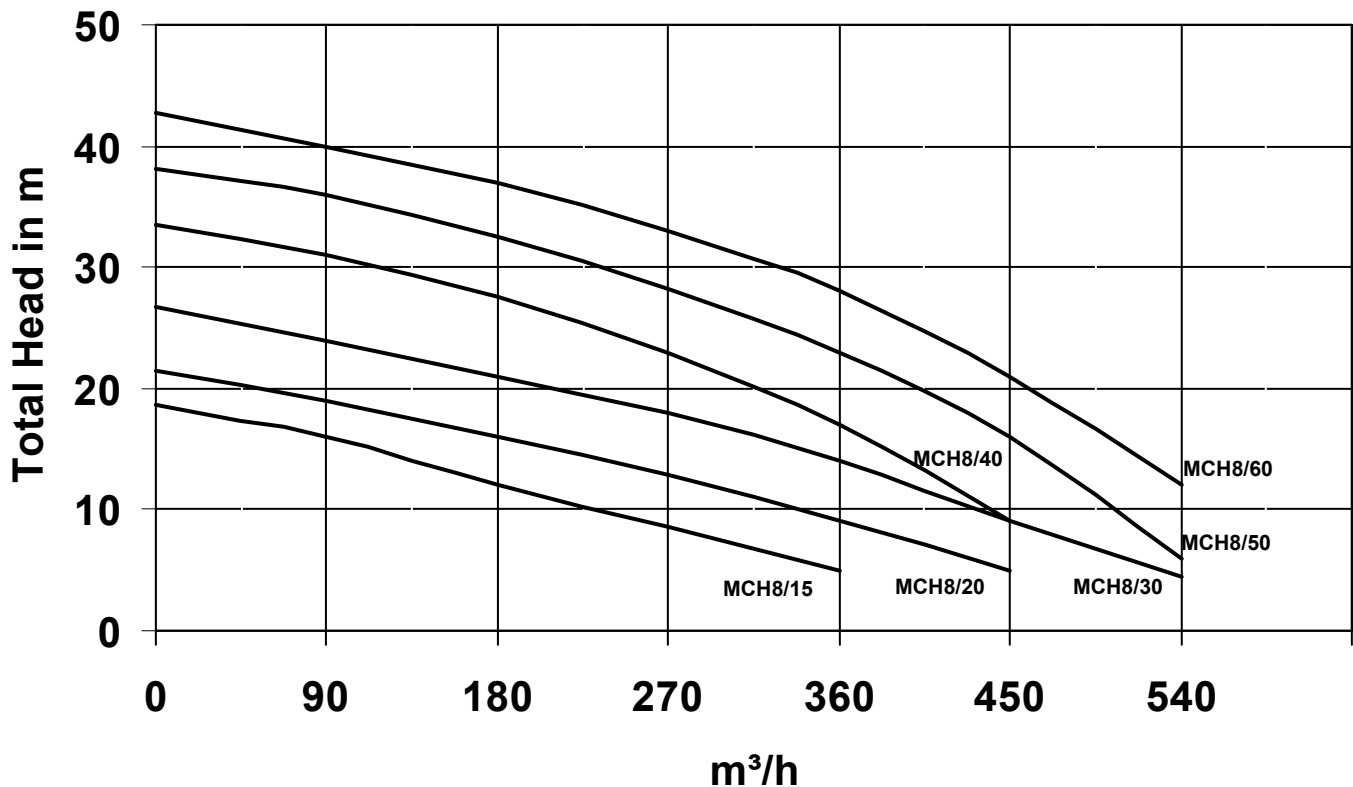
# MHC SERIES - HI CHROME SLURRY SUBMERSIBLE PUMP

## MHC8-A SERIES

### PERFORMANCE CURVES

Performance Curve based on Clean Water at 20 °C with 1.0 SG. Please Correct for Other conditions.

### Mody MHC Hi-Chrome 8" 11kW - 45kW



**Mody Pumps® Inc.**  
2166 Zeus Court, Bakersfield, CA 93308 USA  
Tel.: (661) 392-7600 • Fax: (661) 392-7601  
<http://www.modypump.com>  
E-mail: [sales@modypump.com](mailto:sales@modypump.com)