

mody ELECTRIC SUBMERSIBLE DRAINAGE PUMP

G-1300 SERIES

**PORTABLE ELECTRIC
SUBMERSIBLE PUMP FOR
CORROSIVE & ABRASIVE
APPLICATIONS**

.....

Model G-1304T

10" (250mm) NPT or Hose

110 HP (82kW) @ 60 Hz

(High Volume - Low Head)

.....

Model G-1306T

6" (150mm) NPT or Hose

110 HP (82kW) @ 60 Hz

(Low Volume - High Head)



G-1300 DESIGN ADVANTAGES

- Stainless Steel Shaft, Impeller, Outlet and Hardware for maximum corrosion resistance.
- Choice of impeller materials:
 - 1) 304/316 Stainless Steel for sea water and corrosive applications and;
 - 2) Nitride Hardened 410 Stainless Steel for abrasive applications. (Standard)
- Tandem Silicone Carbide/Silicone Carbide and Silicone Carbide/Silicone Carbide mechanical seals.
- Mechanical Seals in wholly enclosed cast iron oil chamber.
- Field adjustable Nitrile Rubber-lined Diffuser/Wear Plate Optimizes efficiency throughout the life of the pump.
- Automatic ON/OFF/ON Thermal Overloads embedded in Stator Winding Optional - requires 6 core or Control cable and external controls.
- Seal probe Sensor Option Available requires external controls.
- Equipped with Sacrificial Zinc Anodes for maximum life in a saline fluid environment.
- Available in complete 316 Stainless Steel Construction with Silicon Carbide/Silicon Carbide Mechanical Seals and Viton® Elastomers.

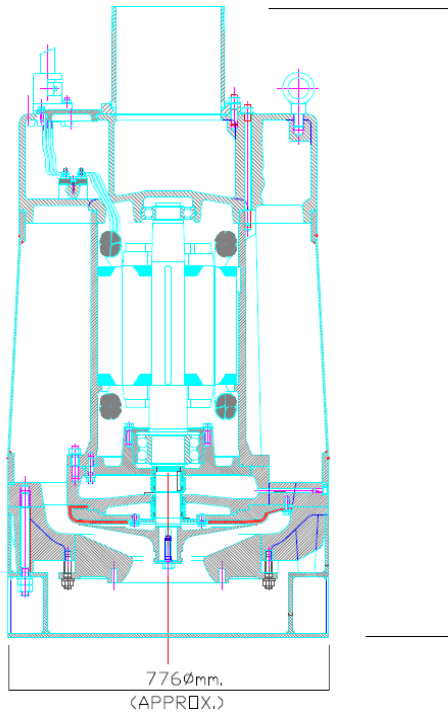


Mody Pumps® Inc.
2166 Zeus Court, Bakersfield, CA 93308. USA
Tel.: (661) 392-7600 • Fax: (661) 392-7601
<http://www.modypump.com>
E-mail: sales@modypump.com

mody

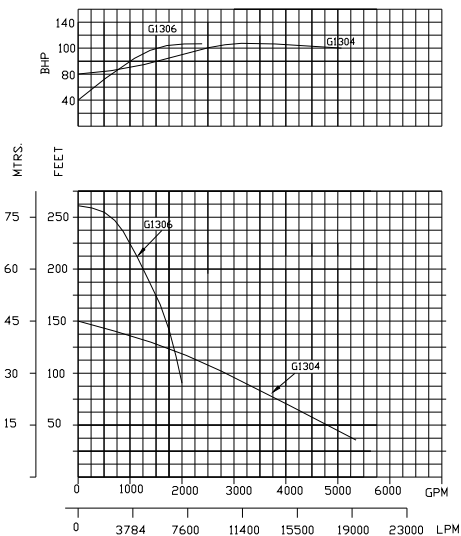
ELECTRIC SUBMERSIBLE DRAINAGE PUMP

G-1300 SERIES 110HP @ 60Hz



PERFORMANCE CURVE

MODEL: G1304/1306T (60Hz)



G-1300 SERIES

MATERIALS OF CONSTRUCTION AND ENGINEERING DATA

MOTOR

4-pole induction **continuous rated** motor with squirrel cage rotor.
 Stator insulation class 'H' (180°C)
 Speed : 1750 RPM @ 60 Hz
 Power Rating : 110HP @ 60Hz Full Load
 Current FLA: 128 Amps @ 460v.
 Max. temperature of the pump liquid : 104°F/40°C
 Max. start/stop per hour: 15
 Star - Delta Starting Optional

POWER SUPPLY

3 phase, 60Hz, AC Supply. Available in any voltage (380/415/460/575/1000V)

BALL BEARINGS

Single row deep groove upper bearing. Double Row Max Capacity Lower bearing.
 The bearings are enclosed with high temperature grease-containing special Anti-corrosion additive.

POWER CABLE

Waterproof/oil proof, rubber-insulated, neoprene-sheathed copper conductor flexible cable, 50ft. (15m) length standard. Type SOOW in North America, EPR in the Middle East and HO7RN in the EU. 8 Core with thermal overloads/seal probe sensor optional.

SHAFT SEAL

Tandem Tungsten Carbide/Tungsten Carbide and Tungsten Carbide/Tungsten Carbide Mechanical seals wholly enclosed in an oil chamber.

CORROSION RESISTANT

Epoxy coated Steel Outer Casing
 Aluminum Stator Casing and Top Bracket
 Nitrile Rubber- Lined Diffuser/Wear plate.
 Shaft: 431 Stainless Steel
 Hardware: 304 Stainless Steel
 Impeller: Nitride Hardened 410SS to 56HRC is Standard.
 pH range 5 - 8

STRAINER

Galvanized Steel with 15mm X 45mm holes.

SUBMERGENCE

Submergence below liquid surface min 16" (400mm) max. 65' (20m).

WEIGHTS (Approx. without cable)

G 1304/1306: 700Kg