







































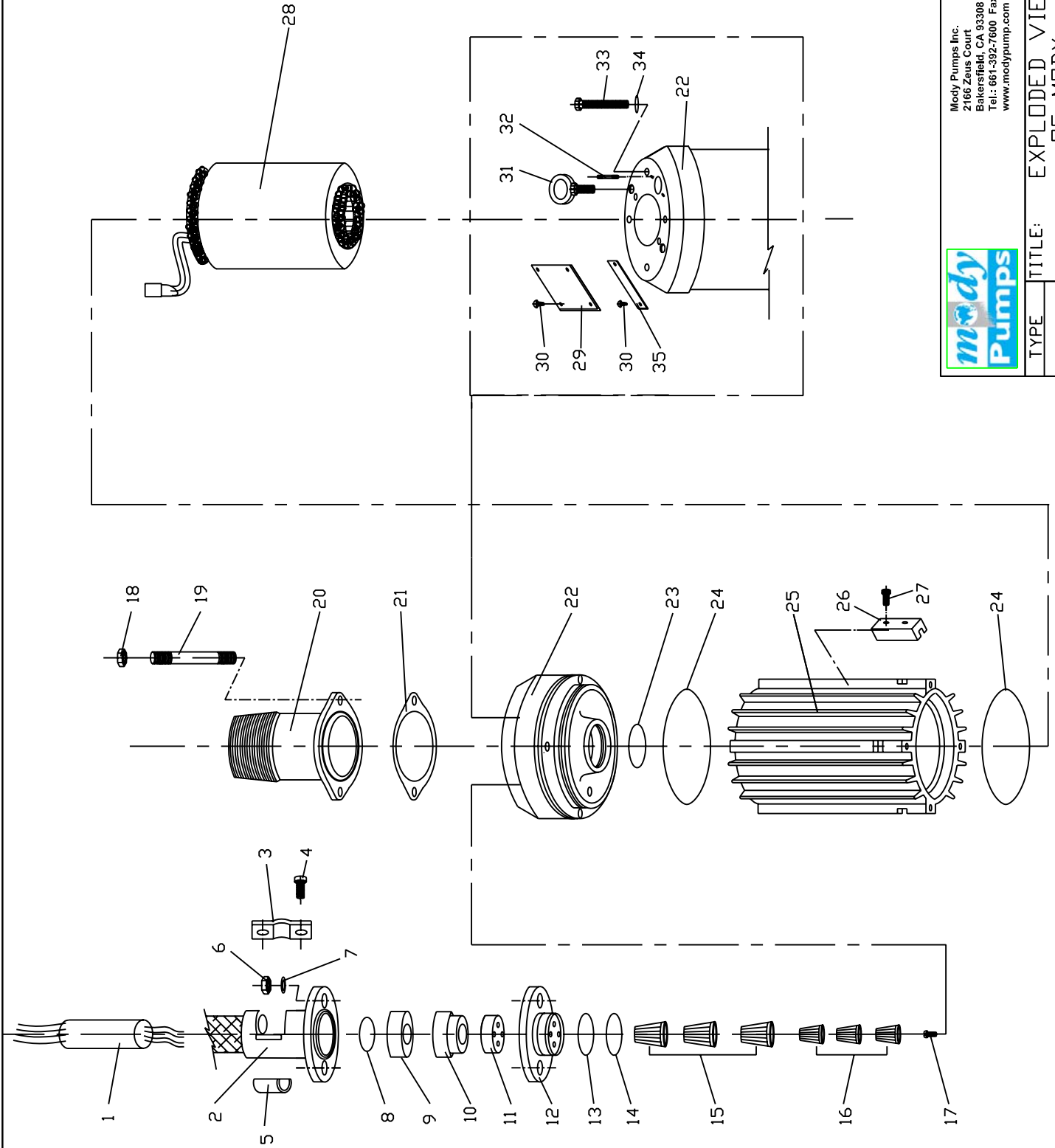


**PUMP MODEL G536T/E      VER 1.0**

<b>D.NO.</b>	<b>PART NO.</b>	<b>DESCRIPTION</b>	<b>QTY</b>
1	065-016-79	CABLE AWG 10/4 SOOW	50'
2	230-004-21	CABLE GLAND	1
3	085-022-21	CABLE CLAMP	1
4	525-022-21	PH.PAN HD.SCREW	2
5	662-002-66	CABLE SUPPORT	1
6	370-006-21	HEX NUT	2
7	700-004-21	WASHER	2
8	380-010-66	"O" RING	1
9	260-029-66	CABLE GROMMET	1
10	600-057-40	CABLE GLAND SPACER	1
11	260-031-66	CABLE LEAD GROMMET	1
12	235-004-21	CABLE GLAND BASE	1
13	380-007-66	"O" RING	1
14	380-005-66	"O" RING	1
15	365-026-00	WIRE NUT CONNECTOR	3
16	365-027-00	WIRE NUT CONNECTOR	3
17	525-007-40	EARTHING SCREW	1
18	370-008-21	HEX NUT	38
19	650-020-21	STUD	2
20a	405-021-21	OUTLET (3" HOSE)	1
20b	405-103-21	OUTLET (3" BSPT)	1
20c	405-059-21	OUTLET (3" NPT)	1
21	220-005-66	GASKET (OUTLET)	1
22	035-012-30	TOP BRACKET	1
23	380-013-66	"O" RING	1
24	380-028-66	"O" RING	2
25	625-007-33	STATOR CASING	1
26	010-006-26	ZINC ANODE	2
27	520-008-21	CAP SCREW	4
28	619-021-00	BARE STATOR	1
29	350-022-21	NAME PLATE	1
30	465-006-21	RIVET	6
31	270-005-21	LIFTING HOOK	2
32	650-013-21	STUD	2
33	045-018-21	HEX HD.BOLT	4
34	700-006-21	WASHER	12
35	635-009-21	ROTATION ARROW	1
36	080-004-08	CIRCLIP	1
37	020-005-07	UPPER BEARING	1
38	480-057-00	ROTOR COMPLETE	1
39	045-004-21	HEX HD.BOLT	4
40	037-003-30	BEARING COVER	1
41	020-011-07	LOWER BEARING	1
42	080-006-08	CIRCLIP	1
43	035-013-30	LOWER BEARING BRACKET	1
44	520-003-21	SOCKET HEAD SCREW	4
45	520-002-21	OIL PLUG	2
46	380-001-66	"O" RING	2

**PUMP MODEL G536T/E      VER 1.0**

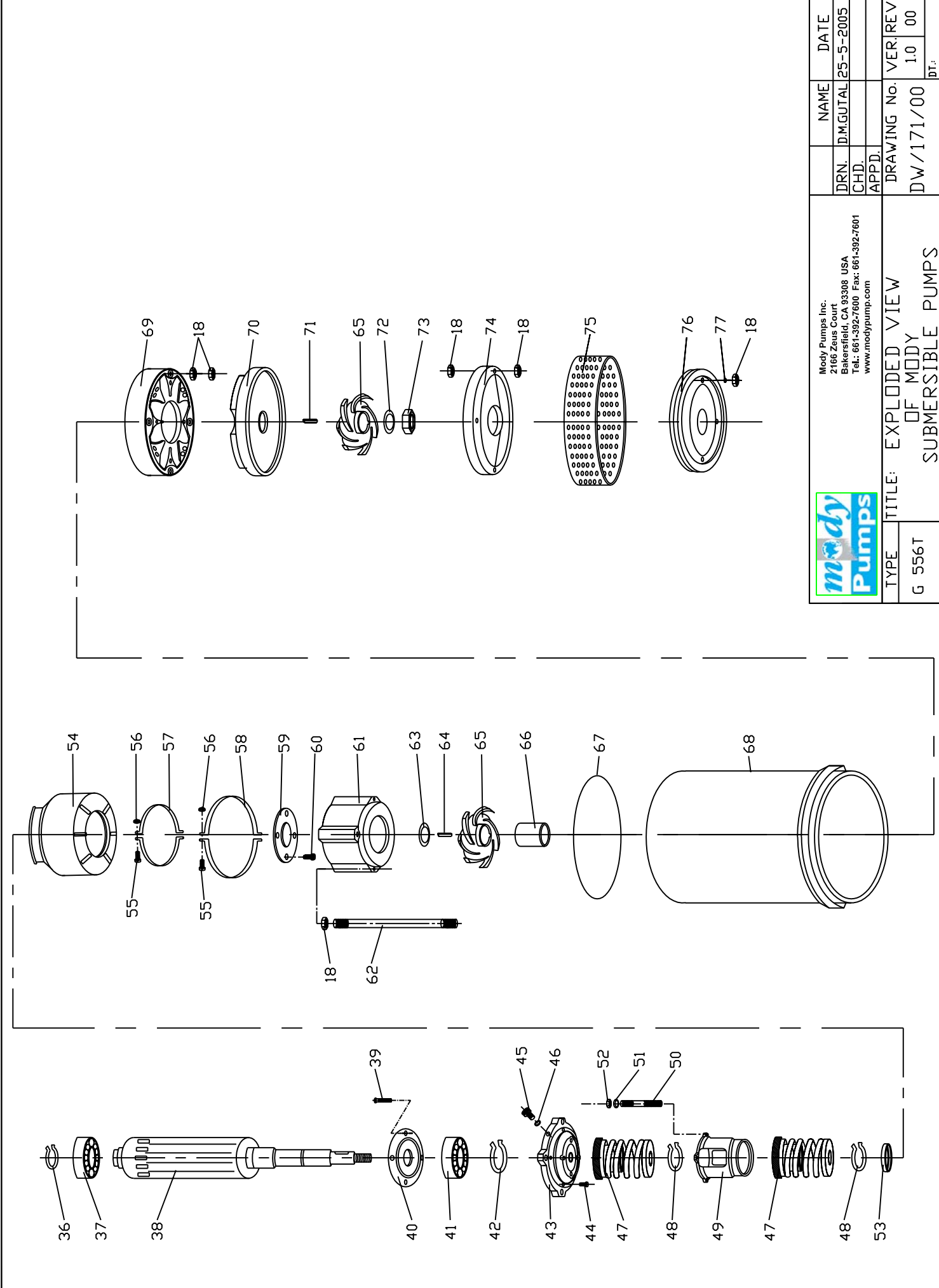
<b>D.NO.</b>	<b>PART NO.</b>	<b>DESCRIPTION</b>	<b>QTY</b>
47	535-022-00	MECHANICAL SEAL	2
48	080-005-21	CIRCLIP	2
49	545-008-21	SEAL HOUSING	1
50	650-003-21	STUD	4
51	700-002-21	WASHER	4
52	370-005-21	HEX NUT	4
53	600-034-21	CAP FOR CIRCLIP	1
54	150-004-66	OIL DIAPHRAGM	1
55	525-022-21	PH.PAN HD.SCREW	4
56	370-002-21	HEX NUT	8
57	085-007-21	OIL BAG CLAMP SMALL	2
58	085-008-21	OIL BAG CLAMP BIG	2
59	515-008-21	SAND GUARD	1
60	525-025-21	PH.PAN HD.SCREW	4
61	715-004-80	WEAR PLATE	1
62	650-052-21	STUD	4
63	600-020-21	TRIMMING SPACER	AS REQD.
64	320-017-21	KEY ( UPPER )	1
65a	300-097-22	IMPELLER 50Hz	2
65b	300-119-22	IMPELLER 60Hz	2
66	585-023-21	SHAFT SLEEVE	1
67	380-036-66	"O" RING	1
68	400-018-31	OUTER CASING	1
69	175-012-80	DIFFUSOR(UPPER)	1
70	265-002-80	GUIDE PLATE	1
71	320-016-21	KEY (LOWER )	1
72	695-004-21	LOCK WASHER	1
73	365-038-21	DOME NUT	1
74	175-011-80	DIFFUSOR(LOWER)	1
75	640-026-21	STRAINER	1
76	030-006-30	BASE PLATE	1
77	705-001-21	SPRING WASHER	4
78	375-011-66	"O" RING SET	1



Mody Pumps Inc.  
 2166 Zeus Court  
 Bakersfield, CA 93308 USA  
 Tel: 661-392-7600 Fax: 661-392-7601  
 www.modypump.com

DRN.	NAME	DATE
CHD.	D.M.GUTAL	25-5-2005
APPD.		
DRAWING No.	VER.	REV
DW/171/00	1.0	00
	DT:	

TYPE: G 556T  
 TITLE: EXPLODED VIEW OF MODY SUBMERSIBLE PUMPS



Mody Pumps Inc.  
 2166 Zeus Court  
 Bakersfield, CA 93308 USA  
 Tel.: 861-392-7600 Fax: 861-392-7601  
 www.modypump.com

TYPE	TITLE: EXPLODED VIEW OF MODY SUBMERSIBLE PUMPS		DRAWING No.	VER.	REV
G 556T			DW/171/00	1.0	00
					DT:
	DRN.	NAME	DATE		
	CHD.	D.M.GUTAL	25-5-2005		
	APPD.				

**PUMP MODEL G556T/E      VER 1.0**

<b>D.NO.</b>	<b>PART NO.</b>	<b>DESCRIPTION</b>	<b>QTY</b>
1	065-016-79	CABLE AWG 10/4 SOOW	50'
2	660-093-00	CABLE GLAND & GRIP	1
3	085-022-21	CABLE CLAMP	1
4	525-022-21	PH.PAN HD.SCREW	2
5	662-002-66	CABLE SUPPORT	1
6	370-006-21	HEX NUT	2
7	700-004-21	WASHER	2
8	380-010-66	"O" RING	1
9	260-029-66	CABLE GROMMET	1
10	600-057-40	CABLE GLAND SPACER	1
11	260-031-66	CABLE LEAD GROMMET	1
12	235-004-21	CABLE GLAND BASE	1
13	380-007-66	"O" RING	1
14	380-005-66	"O" RING	1
15	365-027-00	WIRE NUT CONNECTOR	3
16	365-025-00	WIRE NUT CONNECTOR	3
17	525-007-40	EARTHING SCREW	1
18	370-008-21	HEX NUT	38
19	650-020-21	STUD	2
20a	405-021-21	OUTLET (3" HOSE)	1
20b	405-103-21	OUTLET (3" BSPT)	1
20c	405-059-21	OUTLET (3" NPT)	1
21	220-005-66	GASKET (OUTLET)	1
22	035-012-30	TOP BRACKET	1
23	380-013-66	"O" RING	1
24	380-028-66	"O" RING	2
25	625-006-33	STATOR CASING	1
26	010-006-26	ZINC ANODE	2
27	520-008-21	CAP SCREW	4
28	619-023-00	BARE STATOR	1
29	350-022-21	NAME PLATE	1
30	465-006-21	RIVET	6
31	270-005-21	LIFTING HOOK	2
32	650-013-21	STUD	2
33	045-018-21	HEX HD.BOLT	4
34	700-006-21	WASHER	12
35	635-009-21	ROTATION ARROW	1
36	080-004-08	CIRCLIP	1
37	020-005-07	UPPER BEARING	1
38	480-066-00	ROTOR COMPLETE	1
39	045-004-21	HEX HD.BOLT	4
40	037-003-30	BEARING COVER	1
41	020-011-07	LOWER BEARING	1
42	080-006-08	CIRCLIP	1
43	035-013-30	LOWER BEARING BRACKET	1
44	520-003-21	SOCKET HEAD SCREW	4
45	520-002-21	OIL PLUG	2
46	380-001-66	"O" RING	2

**PUMP MODEL G556T/E      VER 1.0**

<b>D.NO.</b>	<b>PART NO.</b>	<b>DESCRIPTION</b>	<b>QTY</b>
47	535-022-00	MECHANICAL SEAL	2
48	080-005-21	CIRCLIP	2
49	545-008-21	SEAL HOUSING	1
50	650-003-21	STUD	4
51	700-002-21	WASHER	4
52	370-005-21	HEX NUT	4
53	600-034-21	CAP FOR CIRCLIP	1
54	150-004-66	OIL DIAPHRAGM	1
55	525-022-21	PH.PAN HD.SCREW	4
56	370-002-21	HEX NUT	8
57	085-007-21	OIL BAG CLAMP SMALL	2
58	085-008-21	OIL BAG CLAMP BIG	2
59	515-008-21	SAND GUARD	1
60	525-025-21	PH.PAN HD.SCREW	4
61	715-004-80	WEAR PLATE	1
62	650-052-21	STUD ASSEMBLY	4
63	600-020-21	TRIMMING SPACER	AS REQD.
64	320-017-21	KEY ( UPPER )	1
65a	300-111-22	IMPELLER 50Hz	2
65b	300-117-22	IMPELLER 60Hz	2
66	585-023-21	SHAFT SLEEVE	1
67	380-036-66	"O" RING	1
68	400-037-31	OUTER CASING	1
69	175-012-80	DIFFUSOR(UPPER)	1
70	265-002-80	GUIDE PLATE	1
71	320-016-21	KEY (LOWER )	1
72	695-004-21	LOCK WASHER	1
73	365-038-21	DOME NUT	1
74	175-011-80	DIFFUSOR(LOWER)	1
75	640-025-21	STRAINER	1
76	030-006-30	BASE PLATE	1
77	705-001-21	SPRING WASHER	4
78	375-011-66	"O" RING SET	1





# *LIMITED WARRANTY*

We warrant to our immediate customer and to the ultimate consumer that products of our manufacture will be free of defects in material and workmanship under normal use and service for the following time periods, when installed and maintained in accordance with our instructions.

PUMPS: One (1) year from date of installation or (18) months from date of shipment, whichever occurs first. As used herein, "the ultimate consumer" is defined as the purchaser who first uses the product after its initial installation or, in the case for product designed for non-permanent installation, the first owner who uses the product. It is the purchaser's or any sub-vendor's obligation to make known to the ultimate consumer the terms and conditions of this warranty. This warranty gives you specific legal rights, and there may also be other rights which vary from state to state. In the event the product is covered by the Federal Consumer Product Warranties Law (1) the duration of any implied warranties associated with the product by virtue of said law is limited to the same duration as stated herein, (2) this warranty is a LIMITED WARRANTY, and (3) no claims of any nature whatsoever shall be made against us, until the ultimate consumer, his successor, or assigns, notifies us in writing of the defect, and delivers the product and/or defective part(s) freight prepaid to our facility or nearest authorized service station. Some states do not allow limitations on how long an implied warranty lasts, so the above limitation may not apply. **THE SOLE AND EXCLUSIVE REMEDY FOR BREACH OF ANY AND ALL WARRANTIES WITH RESPECT TO ANY PRODUCT SHALL BE TO REPLACE OR REPAIR AT OUR ELECTION, FOB POINT OF MANUFACTURE OR AUTHORIZED REPAIR STATION, SUCH PRODUCTS AND/OR PARTS AS PROVEN DEFECTIVE. THERE SHALL BE NO FURTHER LIABILITY, WHETHER BASED ON WARRANTY, NEGLIGENCE OR OTHERWISE.**

Unless expressly stated otherwise, guarantees in the nature of performance specifications furnished in addition to the foregoing material and workmanship warranties on a product manufactured by *Mody*, if any, are subject to laboratory tests corrected for field performance. Any additional guarantees, in the nature of performance specifications must be in writing and such writing must be signed by our authorized representative. Due to inaccuracies in field testing if a conflict arises between the results of field testing conducted by or for user, and laboratory tests corrected for field performance, the latter shall control. Components or accessories supplied by us but manufactured by others are warranted only to the extent of and by the terms and conditions of the original manufacturer's warranty.

**RECOMMENDATIONS FOR SPECIAL APPLICATIONS OR THOSE RESULTING FROM SYSTEMS ANALYSES AND EVALUATIONS WE CONDUCT, WILL BE BASED ON OUR BEST AVAILABLE EXPERIENCE AND PUBLISHED INDUSTRY INFORMATION. SUCH RECOMMENDATIONS DO NOT CONSTITUTE A WARRANTY OF SATISFACTORY PERFORMANCE AND NO SUCH WARRANTY IS GIVEN.**

This warranty shall not apply when damage is caused by (a) improper installation, (b) improper voltage, (c) lightning, (d) sand or other abrasive materials, (e) scale or corrosion build-up due to excessive chemical content. Any modification of the equipment will also void the warranty. We will not be responsible for loss, damage or labor cost due to interruption of service caused by defective parts. Neither will we accept charges incurred by others without our prior written approval. This warranty is void if our inspection reveals the product was used in a manner inconsistent with normal industry practice and/or our specific recommendations. The purchaser is responsible for communication of all necessary information regarding the application and use of the product. **UNDER NO CIRCUMSTANCES WILL WE BE RESPONSIBLE FOR ANY OTHER DIRECT OR CONSEQUENTIAL DAMAGES, INCLUDING BUT NOT LIMITED TO LOST PROFITS, LOST INCOME, LABOR CHARGES, DELAYS IN PRODUCTION, IDLE PRODUCTION, WHICH DAMAGES ARE CAUSED BY ANY DEFECTS IN MATERIAL, AND/OR WORKMANSHIP AND/OR DELAYS IN SHIPMENT. THIS WARRANTY IS EXPRESSLY IN LIEU OF ANY OTHER EXPRESS OR IMPLIED WARRANTY, INCLUDING ANY WARRANTY OF MERCHANTABILITY OR FITNESS FOR A PARTICULAR PURPOSE.**

No rights extended under this warranty shall be assigned to any person, whether by operation or otherwise, without our prior written approval.