

# Electric pump

## EL60SHC

### PUMP SPECIFICATIONS

Capacity [m <sup>3</sup> /h - (USGPM)]	720 - (3168)
Head [m - (ft)]	5 - (16)
Impeller diameter [mm - (in)]/type	360 - (14)/3 blades closed
Flanged bore size [DN.../PN... - (in)]	DN250/PN10 - (10)
Cross section diameter [mm - (in)]	90 - (3.6)
Weight (without cable) [kg - (lbs)]	1300 - (2860)

### ELECTRIC MOTOR

Power [kW-HP]	60-80
Voltage [V]/Current [A]	460/132,2
Phases/Poles/Frequency [Hz]	3/6/60
Speed [RPM]	1180
Insulationclass	H
Power cable 20m (IEC 60245- 4)	H07RN-F 4G35

### MATERIALS

Casing	Spheroidal cast iron EN-GJS-500-7 (EN 1563)
Motor housing	Cast iron EN-GJL-250 (EN 1561)
Wear parts	High chrome EN-GJN-HV600 (XCr18) (EN 12513)
Main shaft	High tensile steel 39NiCrMo3 (AISI 9840)

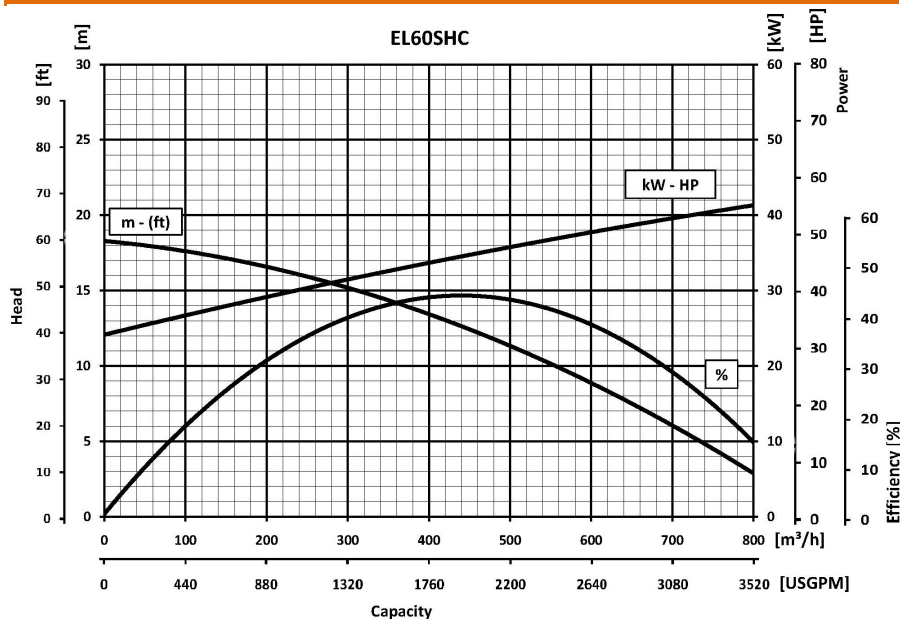
### SEALS / LUBRICANT

Motor side seals	2 lip seals (BUNA)
Impeller side seals	3 lip seals (BUNA) + 1 V-RING (TPU)
Oil type	ISO 320

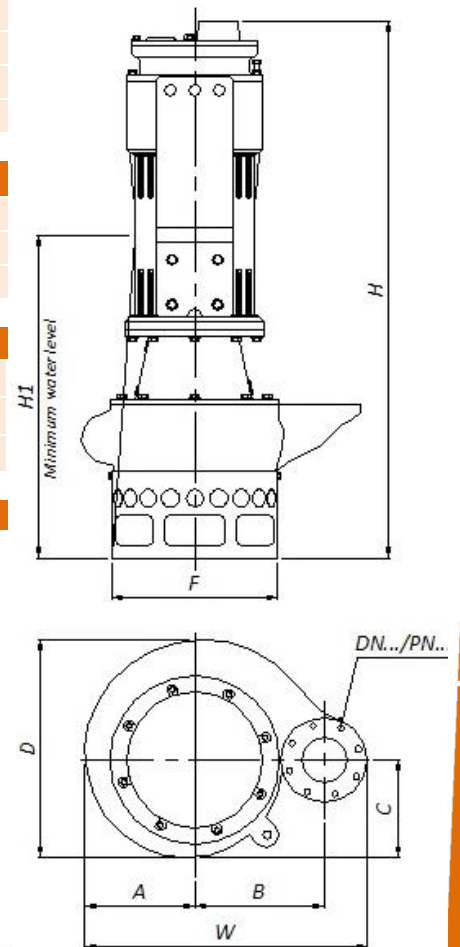
### DIMENSIONS [mm - (in)]

H	W	D	F	H1	A	B	C
1660	935	1000	545	995	470	480	450
(66.4)	(37.4)	(40)	(21.8)	(39.8)	(18.8)	(19.2)	(18)

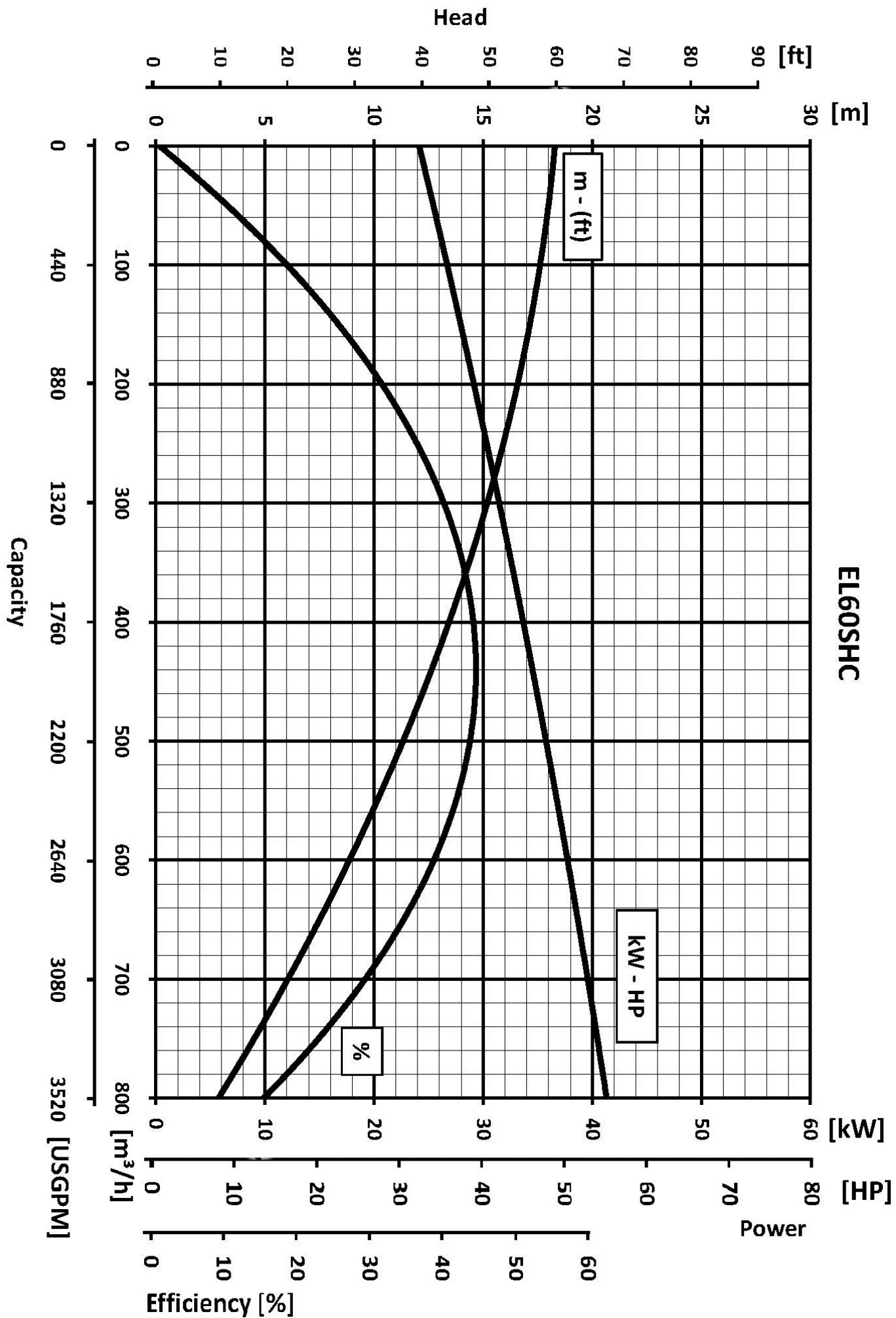
### PERFORMANCE CURVES



We reserve the right to make changes without notice



# EL60SHC



We reserve the right to make changes without notice