

Hydraulic pump

HY35A/B



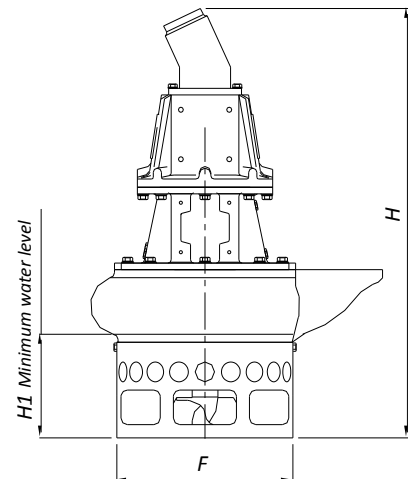
| PUMP SPECIFICATIONS | Mod. A | Mod. B |
|--|------------------------------|--------------|
| Capacity [m ³ /h - (USGPM)] | 120 - (528) | 170 - (748) |
| Head [m - (ft)] | 30 - (97,5) | 24 - (78) |
| Impeller diameter [mm - (in)]/type | 435 - (17.4)/2 blades closed | |
| Flanged bore size [DN.../PN... - (in)] | 100 - (4) | 150 - (6) |
| Cross section diameter [mm - (in)] | 35 - (1.4) | |
| Weight [kg - (lbs)] | 500 - (1100) | 530 - (1166) |

| HYDRAULIC MOTOR | |
|--------------------------------------|--------------|
| Motor displacement [cc - (cu in)] | 55 - (3.3) |
| Max. oil flow rate [l/min - (USGPM)] | 65 - (286) |
| Max. pressure [bar - (psi)] | 300 - (4350) |
| Power [kW-HP] | 33-45 |
| Speed [RPM] | 1180 |

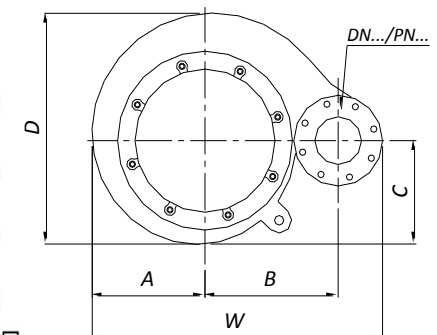
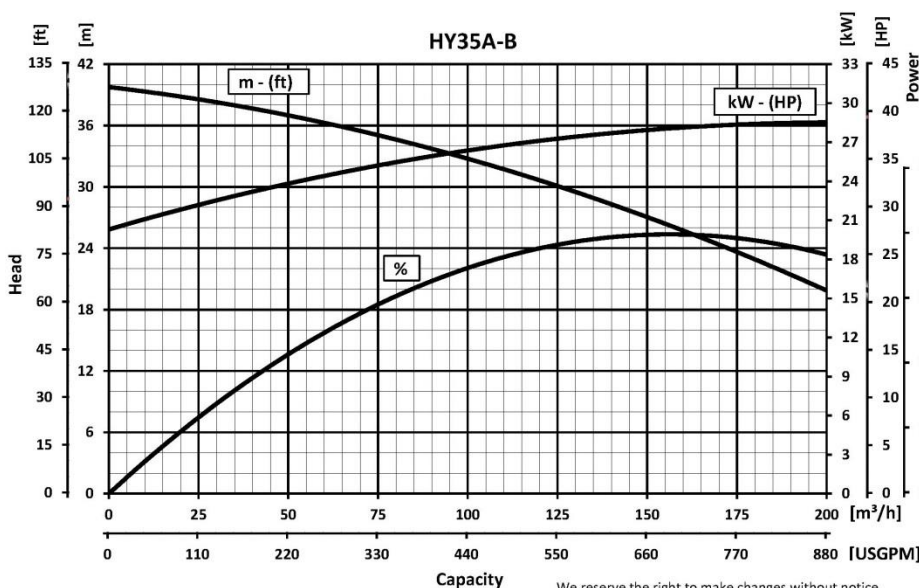
| MATERIALS | |
|---------------|---|
| Casing | Spheroidal cast iron EN-GJS-500-7 (EN 1563) |
| Motor housing | Cast iron EN-GJL-250 (EN 1561) |
| Wear parts | High chrome EN-GJN-HV600 (XCr18) (EN 12513) |
| Main shaft | High tensile steel 39NiCrMo3 (AISI 9840) |

| SEALS / LUBRICANT | |
|---------------------|---|
| Motor side seals | 2 lip seals (BUNA) |
| Impeller side seals | 5 lip seals (3 NBR + 2 PTFE) + 1 V-RING (TPU) |
| Oil type | ISO 320 |

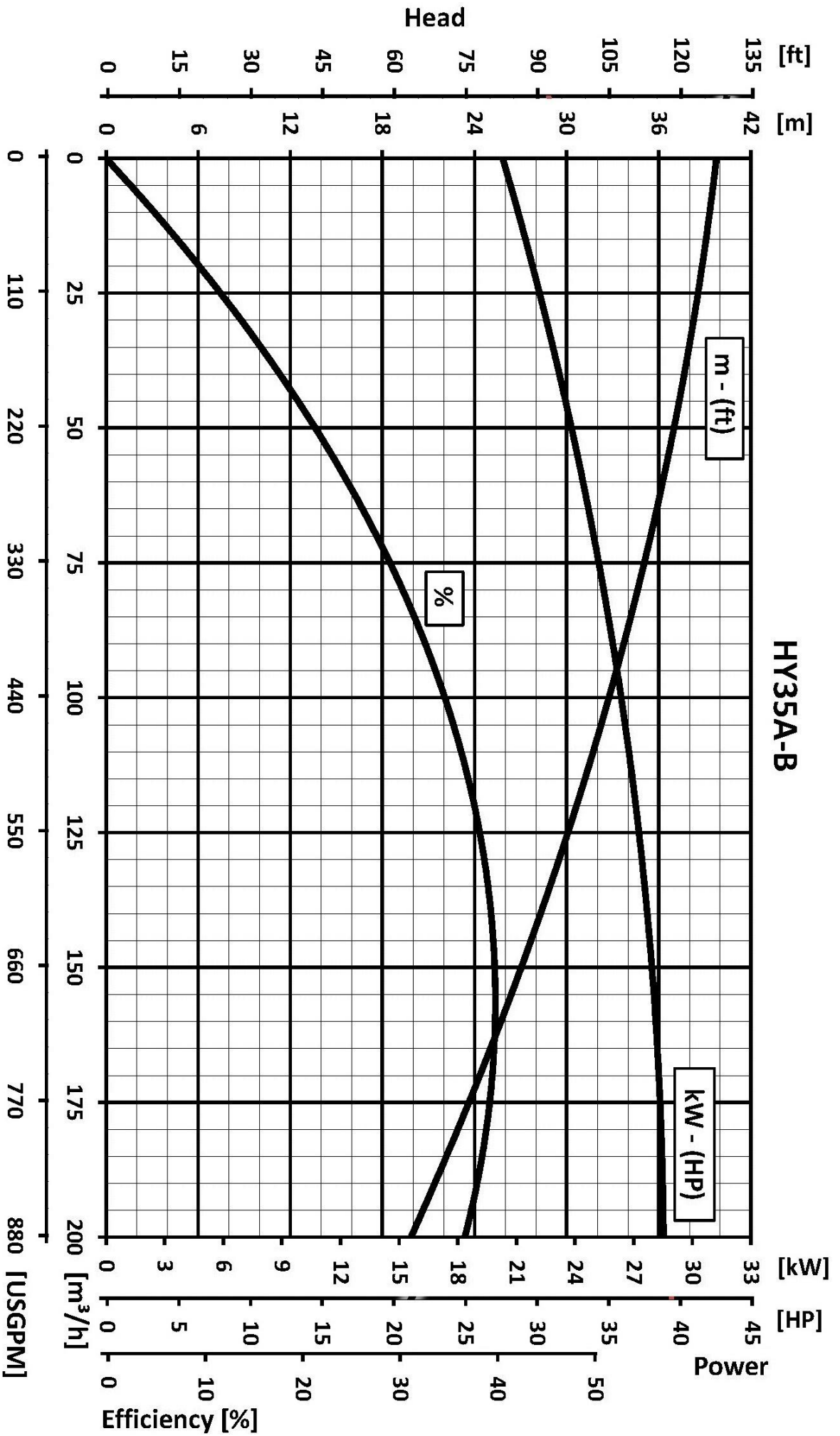
| DIMENSIONS [mm - (in)] | | | | | | | |
|------------------------|--------|--------|--------|--------|--------|--------|--------|
| H | W | D | F | H1 | A | B | C |
| 1210 | 818 | 667 | 540 | 270 | 327 | 380 | 323 |
| (48.4) | (32.7) | (26.7) | (21.6) | (10.8) | (13.1) | (15.2) | (12.9) |



PERFORMANCE CURVES



HY35A-B



Capacity

We reserve the right to make changes without notice